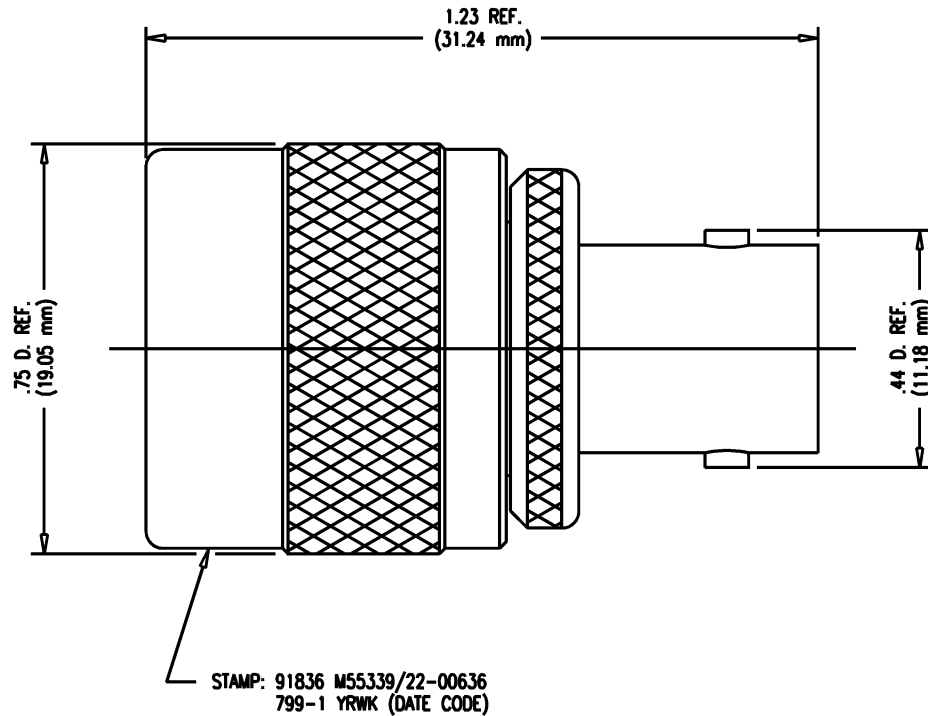


SD



NOTES:

1. BNC INTERFACE PER MIL-STD-348, FIG. 301-2.
2. C INTERFACE PER MIL-STD-348, FIG. 302-1.

3. MATERIALS:

INSULATORS- TEFLON, ASTM-D-4894
 GASKET- SILICONE RUBBER, Z2-R-765
 CENTER CONTACT }
 OUTER CONTACT } BER. COP., ASTM-B-196
 SPRING WASHER }
 C RING- HARD DRAWN COPPER WIRE PER QQ-W-336
 ALL OTHER PARTS-BRASS, ASTM-B16

4. FINISHES:

CENTER CONTACT & C RING-GOLD PLATE PER MIL-G-45204
 OUTER CONTACT & SPRING WASHER-SILVER PLATE PER QQ-S-365
 ALL OTHER METAL PARTS-SILVER PLATE PER QQ-S-365

5. ELECTRICAL CHARACTERISTICS:

NOMINAL IMPEDANCE-50 OHMS
 WORKING VOLTAGE-500 VRMS
 FREQUENCY RANGE-DC TO 4 GHZ

M55339/22-00636

REVISIONS

| ISSUE | CHANGES |
|-------|---|
| 1 | RESTRICTED USAGE JHP 09/08/76 |
| 2 | RESTRICTION REMOVED ER 16292 MJB 05/24/77 |
| 3 | CN 23170 E MA 03/19/82 |
| 4 | CN 35618 D ME 01/09/95 |
| 5 | CN 37594 C REDRAWN TML 02/16/00 |

799-1S

SCALE 4:1

APPROX SURFACE AREA

799-1

USED ON

REF:

ADAPTER C(M)-BNC(F)

| | | | |
|--------|-----|------|----------|
| DRAWN | JHP | DATE | 09/08/76 |
| DESIGN | | DATE | |
| APPR. | JM | DATE | 09/25/76 |

KINGS
 ELECTRONICS CO., INC.
 ROCK HILL, SOUTH CAROLINA 29730

M55339/22-00636

SD